

Quick Setup Guide

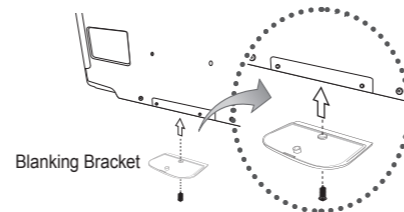
To register this product please visit www.samsung.com/register
 LN26C458E1HXZA
 LN32C458E1HXZA



Installing the Wall Mount Kit

Wall or Ceiling Mounting
 The product should be mounted to a wall or ceiling only as recommended by the manufacturer. Unless it is correctly mounted, the product may slide or fall, causing serious injury to a child or adult, and serious damage to the product.

Wall mount items (sold separately) allow you to mount the TV on a wall. For detailed information on installing the wall mount, see the instructions provided with the Wall Mount items. Contact a technician for assistance when installing the wall mounted bracket. Samsung Electronics is not responsible for any damage to the product or injury to yourself or others if you select to install the TV on your own.



- The wall mount kit is not supplied with the TV, but sold separately.
- Please call if you have any question or concerns.
- Give a call phone # (800-535-2459)

List of Parts

- Power Cord
- Blanking Bracket & Screw (M4XL16) (26C458 model only)
- Owner's Instructions / Warranty card / Safety Guide / Registration Cards

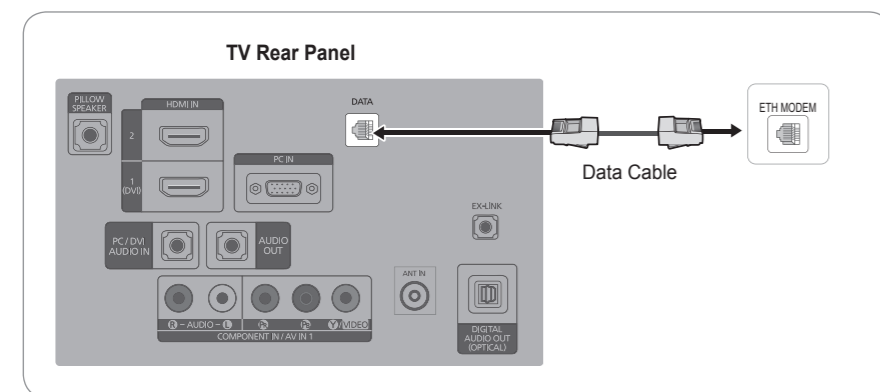
Items Available Separately:

- Pendant Jumper Cable
- Setup/master remote
- Wall mounts
- Pillow speakers



BN68-03140A-00

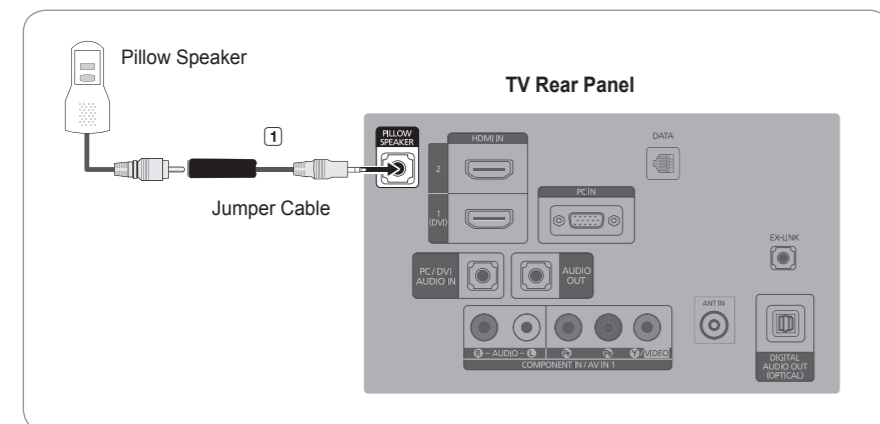
Connecting the TV with an SBB or STB



- Connect the DATA jack of the TV to the [ETH MODEM] jack of the STB (SBB) with the Data cable.
 - Use data communication.

Connecting a Pillow Speaker

The pillow speaker is connected to the TV in hospital and functions as a remote control and speaker through a jumper cable.



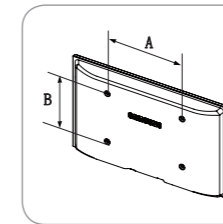
- Connect pillow speaker jumper cable (cable provided separately) from television Pillow Speaker Port to pillow speaker jack on wall behind television.

Wall Mount Kit Specifications (VESA)

Install your wall mount on a solid wall perpendicular to the floor. When attaching to other building materials, please contact your nearest dealer. If installed on a ceiling or slanted wall, TV may fall and cause in severe personal injury.

- Standard dimensions for wall mount kits are shown in the table below.
- When purchasing our wall mount kit, a detailed installation manual and all parts necessary for assembly are provided.
- Do not use screws that do not comply with the VESA standard screw specifications.
- Do not use screws that are longer than the standard dimension or do not comply with the VESA standard screw specifications. Screws that are too long may cause damage to the inside of the TV set.
- For wall mounts that do not comply with the VESA standard screw specifications, the length of the screws may differ depending on the wall mount specifications.
- Do not fasten the screws too strongly. This may damage the product or cause the product to fall, leading to personal injury. Samsung is not liable for these kinds of accidents.
- Samsung is not liable for product damage or personal injury when a non-VESA or non-specified wall mount is used or the customer fails to follow the product installation instructions.
- Do not mount the TV at more than a 15 degree tilt.

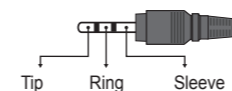
Product Family	inches	VESA Spec. (A * B)	Standard Screw	Quantity
LCD-TV	19 ~ 22	75 X 75 100 X 100	M4	4
	23 ~ 29	200 X 100	M6	
	30 ~ 40	200 X 200		
	46 ~ 55	400 X 400	M8	
	57 ~ 65	600 X 400		
	70 ~ 80	800 X 400		
	80~	1400 X 800		



Warning: Do not install your Wall Mount Kit while your TV is turned on. It may result in personal injury due to electric shock.

Pillow Speaker Jack Specifications

- Output jack: RCA type
- Input jumper pin: 1/8" 3-conductor stereo phone pin
- Signal specifications: Tip-Audio, Ring-Data/Channel change, Sleeve-Common



How to Use the Pillow Speaker

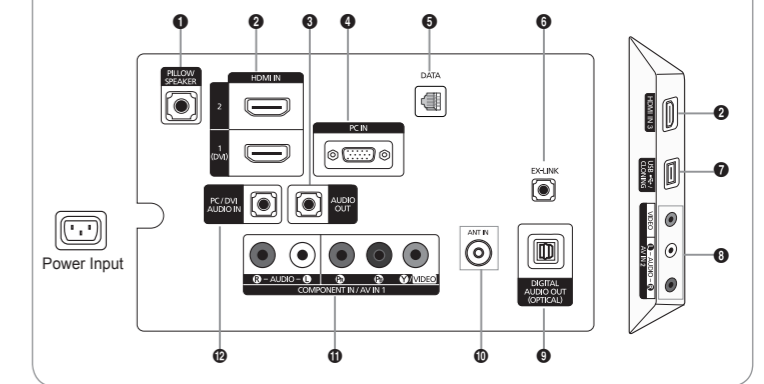
- Analog type speaker: The pillow speaker has one key.
 - Power On: press the key in standby mode.
 - Channel Up: press the key when the speaker is on.
 - Power Off: press the key for more than 3 seconds when the speaker is on.
 - An Analog type speaker always works regardless of the Pillow Speaker Type value set in Factory option.
- Digital type speaker: The TV supports the Samsung, Philips, or Zenith code.
 - This speaker is only compatible with a specified IR code. You can change the code in the Hospital mode Setup menu.
 - The TV gives priority to the Samsung remote control over the pillow speaker's wired remote control.
 - Option : Channel Menu Display

Pillow Sound Control

Speaker Selection Menu	TV Speaker	Pillow Speaker
TV Speaker	Sound	Sound
External Speaker	No Sound	Sound

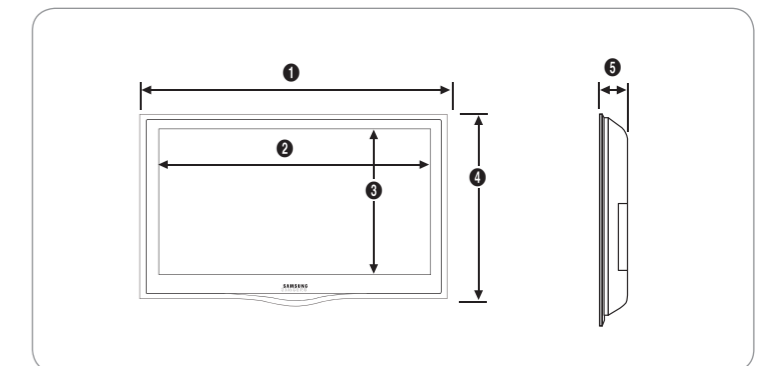
Viewing the Connection Panel

The product color and shape may vary depending on the model.



- PILLOW SPEAKER**
- Pillow speaker Jumper port
- HDMI IN 1 (DVI), 2, 3**
- AUDIO OUT**
- PC IN**
- DATA**
- Used to support data communication between the TV and the SBB.
- EX-LINK**
- USB / CLONING**
- AV IN 2 [VIDEO / R-AUDIO-L]**
- DIGITAL AUDIO OUT (OPTICAL)**
- ANT IN**
- RF SIGNAL INPUT
- COMPONENT IN / AV IN 1**
- PC / DVI AUDIO IN**

TV Dimensions

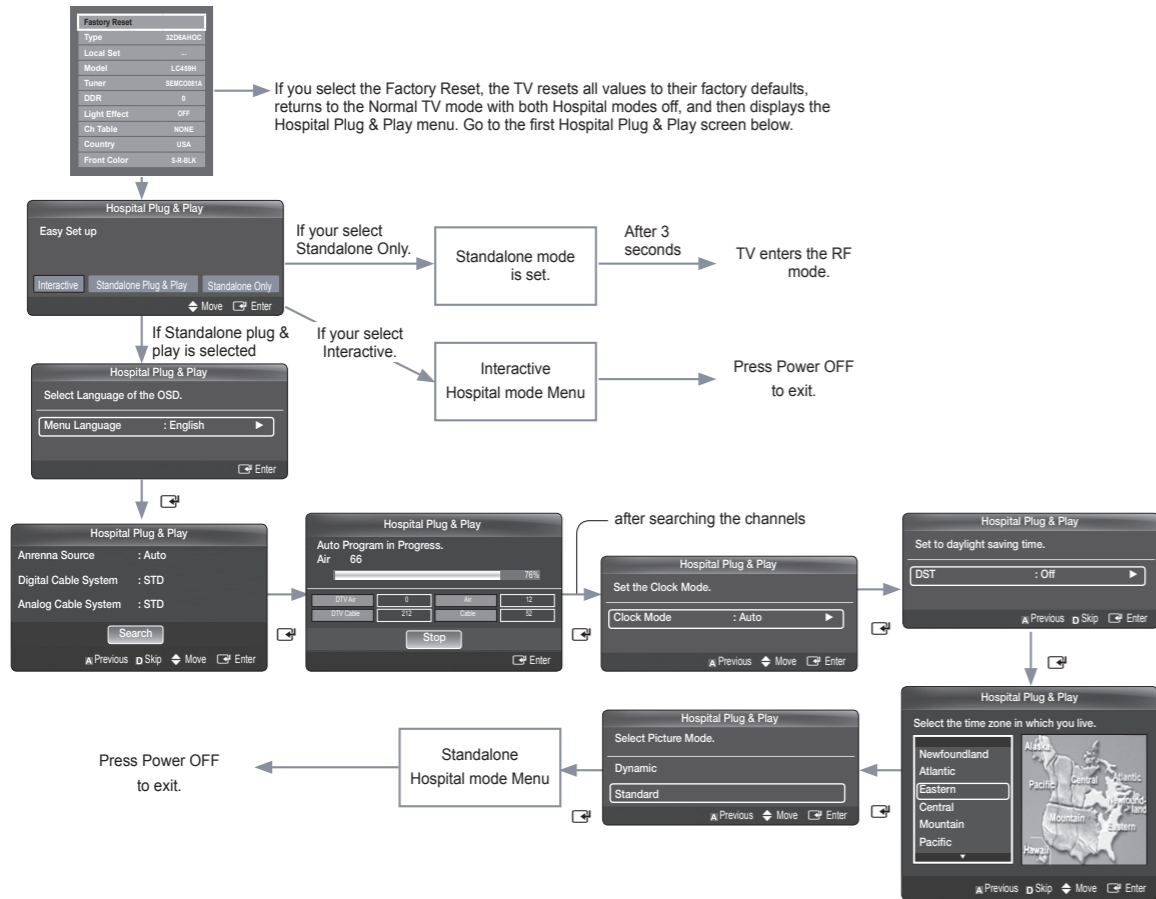


(unit: inches)

	1	2	3	4	5
LN26C458	25.5	22.7	12.8	17	3
LN32C458	30.9	27.5	15.6	20.2	3

Hospital Plug & Play

Below is the process flow for the Hospital Plug & Play function. The Hospital Plug & Play function automatically performs the Hospital mode selection, and displays the Language Setup, Country Setup, Auto Channel Program, Clock Setup, and Picture mode Setup screens once, when you turn the power ON for the first time and after you execute a Service Reset.



◆ Hospital Plug & Play Screen

- Initial Highlight: Interactive
- If you select the Standalone Only button, the Standalone Hospital mode is set by default and the "Standalone mode is set" message appears for 3 seconds. Then, the TV enters RF mode automatically.
- If you select the Interactive mode, the Interactive Setup Menu appears. You can enter the Interactive Setup Menu and adjust function settings. Press the power off key to exit from the Interactive menu.
- If you select the Standalone Plug & Play, the Standalone Plug & Play process begins, and the "Select Menu Language" Screen appears.

◆ Select Menu Language Screen

- If you select Standalone from the "Select Hospital TV Mode" Screen, the "Select Menu Language" Screen appears.
- Initial Highlight : English
- Display time: Screen timeout and operation would be same as retail model.
- If you press the Enter key, the "Select Country" Screen appears.

◆ Auto Search Mode Screen

- If you select the Skip option, the TV displays the Clock Mode Screen.
- If you press the Enter key, the TV auto searches for channels.
- The Screen Display time, which starts at the time that Auto Store is completed goes to the time Auto Sort starts, is 30 seconds.

◆ Clock Mode Screen

- Initial Highlight: Auto.
- Display time: 30 seconds.
- The Clock Set item Screen appears if you select Manual.
- If you press the Enter key after setting the clock, or while in Auto clock set, the Picture Mode Screen appears.

◆ Set daylight saving time Screen

- Initial Highlight: Off
- If you press the Enter key, the Select the DST area Screen appears.

◆ Picture Mode Screen

- Initial Highlight: Dynamic.
- The TV displays the Picture Mode Screen where you can choose the Dynamic or a Standard Picture mode.
- After you select the picture mode, the TV displays the Standalone Setup Menu OSD. Press power off to exit.

Notice When in the Hospital mode (Interactive or Standalone), the Channel menu items in the Menu OSD, except for Channel List, are deactivated.

If you need to change the channel line up, follow these steps:

1. Press the MUTE → 1 → 1 → 9 → ENTER buttons in order.
2. Press the ◀ or ▶ button to select "Hospital mode off", turn the power off, and then turn the power on again.
3. You can use the Channel menu items in the Menu OSD for various setting for your TV channels.
4. After the operation to set the channel line up is completed, Hospital mode should be ON.

Setting the Hospital Option Data

No	Item	Initial Value	Description
22	Local Time	Manual	Select the way to update clock data. • Manual: Manual clock setting (without updating from TTX data)
23	Menu Display	ON	• On : Main Menu displays. • Off : Main Menu does not display.
24	Customer Logo	OFF	Turns the Hospital logo feature on/off. The Logo is shown during the initial turn on for the amount of time set in the "Logo Display Time"
25	Logo Download	---	Hospital Logo Download. (File name required: samsung.bmp, Max file size: 960 x 540, File Type: BMP)
26	Logo Display Time	---	Hospital Logo Display Time (3/5/7 seconds).
27	Power On Option	Last Option	Setting the TV state when the TV powers on. (AC Power On) • STN-BY : Stand-By Mode • Power On : AC Power On • LAST OPT : Last Power State (Stand-by or AC Power On)
28	Auto Source	OFF	• ON : In stand-by mode, when an external source is connected to the TV, the TV automatically goes to AC Power On and Auto Ident external input mode. • PC : Auto Ident PC Input only. • OFF : Auto Source is Off.
29	Energy Saving	OFF	This feature adjusts the brightness of the TV to reduce power consumption. • Off: Turns off the energy saving function. • Low: Sets the TV to low energy saving mode. • Medium: Sets the TV to medium energy saving mode. • High: Sets the TV to high energy saving mode. • Auto : Sets the TV to auto energy saving mode.
30	Clone TV to USB		Clone the current TV option values to the USB.
31	Clone USB to TV		Clone the saved TV option values in the USB to the TV.
32	Clone Data Reset	OFF	• ON : When TV powers on, resets all the saved Cloning Data option values in the TV to the factory pre-sets. • OFF : Option values retain the current settings.
33	Welcome Message	OFF	Display welcome Message for 5 seconds when the TV turns On.
34	Edit Welcome Message		Edit Welcome Message.
35	Channel Auto Store		Auto Memorize channels. Searches for signals and sets channels. Channels cannot be manually added. When Hospital mode is on, channel search possible only in this mode.
36	Dynamic SI	ON	• ON : Check the DTV Program channel number. (DTV channel editor is inaccessible) • Off : No Check of the DTV Program channel number. (DTV channel editor is accessible, but additional channel program number update is not supported)
37	Pillow speaker Type	CS	Select the type of pillow speaker. You must select the type of pillow speaker currently connected for it to operate properly. • CZ : Zenith Code - Vcc (12V) • CP : Philips Code - Vcc (5V) • CS : Samsung Code - Vcc (12V)
38	CH Bank Service Level	Normal	Set the channel bank service level. • None: Channels cannot be changed by the user. • Normal: All the searched channels can be used. • Bank1/2/3: Only the channels assigned in the channel bank editor can be used.
39	CH Bank Editor		Assign the channels that will be included in the channel bank. • You can assign a channel number to an external input source in the channel editor. The channel number is added to the channel bank editor.

Interactive Mode Menu

To Enter: Press the **INFO** → **MENU** → **0** → **1** → **EXIT** buttons in order, in normal operation state.

To Exit from this menu : AC power off, and then turn on again. Any changes you made are saved.

No	Item	Initial Value	Description
1	Hospital mode	ON	Hospital mode on/off. • On : Hospital TV Stand-alone or Interactive • Off : Retail TV
2	SI Vendor	Samsung	• Select the SI Vendor (SAMSUNG)
3	Power On Channel EN	User Defined	Set the default values, which will be applied when the TV is turned on. • User Defined : Refers to the settings configured for Power On Channel, Channel Type. • Last Saved : Refers to the last saved settings.
4	Power On Channel	3	When the TV is turned on, it switches automatically to this channel when in Stand Alone Hospital mode.
5	Channel Type	CATV	Channel search CABLE and AIR. • ATD, DTV : ON-AIR • CATV, CDTV (Cable Digital TV) : CABLE TV
6	Power On Volume EN		Set the default values, which will be applied when the TV is turned on. • User Defined : Refers to the settings configured for Power On Volume. • Last Saved : Refers to the last saved settings.
7	Power On Volume	10	TV will switch on at this Volume Level in Stand Alone Hospital mode.
8	Min Volume	0	Minimum Volume Level user setting user can set in Stand Alone Hospital mode.
9	Max Volume	100	Maximum Volume Level user setting user can set in Stand Alone Hospital mode.
10	Panel Button Lock	Unlock	Front panel (Local key) operation on/off. • Unlock : Unlock all panel keys • Lock : Lock all panel keys • Power : Lock all panel buttons except Power • Menu/Source : Lock Menu & Source
11	Power On Source	TV	Select the input source the TV displays when it is turned on.
12	Picture Menu Lock	OFF	Enable or disable Picture Menu.
13	Music Mode AV	OFF	To get music output from an mp3/audio player through an AV Input Source. When on, you can hear sound from the player through the TV whether there is a video signal or not.
14	Music Mode PC	OFF	To get music output from an mp3/audio player through a PC Input Source. When on, you can hear sound from the player through the TV whether there is a video signal or not.
15	Music Mode Comp	OFF	To get music output from an mp3/audio player through a Component Input Source. When on, you can hear sound from the player through the TV whether there is a video signal or not.
16	Music Mode Backlight	OFF	Backlight On/Off option in Music mode. To save energy, set to Off.
17	RJP Priority AV	1	If the jack priority is set, the TV will automatically select this source when a plug is inserted into the RJP AV jack, according to its jack priority.
18	RJP Priority PC	2	If the jack priority is set, the TV will automatically select this source when a plug is inserted into the RJP PC jack, according to its jack priority.
19	RJP Priority HDMI	3	If the jack priority is set, the TV will automatically select this source when a plug is inserted into the RJP HDMI jack, according to its jack priority.
20	RJP AV Option	AV1	Select RJP AV Source. (AV1/AV2)
21	RJP HDMI Option	HDMI1/DVI	Select RJP HDMI Source. (HDMI1/HDMI2/HDMI3)

No	Item	Initial Value	Description
22	Local Time	Manual	Select the way to update clock data. • Auto: Use clock data from server. • Manual: Manual clock setting (without updating from TTX data).
23	Menu Display	ON	• On : Main Menu displays. • Off : Main Menu does not display.
24	Customer Logo	OFF	Turns the Hospital logo feature on/off. The Logo is shown during the initial turn on for the amount of time set in the "Logo Display Time."
25	Logo Download	---	Hospital Logo Download. (File name required: samsung.bmp, Max file size: 960 x 540, File Type: BMP)
26	Logo Display Time	---	Hospital Logo Display Time (3/5/7 seconds).
27	Power On Option	Last Option	Setting the TV state when the TV powers on. (AC Power On) • STN-BY : Stand-By Mode. • Power On : AC Power On. • LAST OPT : Last Power State (Stand-by or AC Power On).
28	Auto Source	OFF	• ON : In stand-by mode, when an external source is connected to the TV, the TV automatically goes to AC Power On and Auto Ident external input mode. • PC : Auto Ident PC Input only. • OFF : Auto Source is Off.
29	Energy Saving	OFF	This feature adjusts the brightness of the TV to reduce power consumption. • Off: Turns off the energy saving function. • Low: Sets the TV to low energy saving mode. • Medium: Sets the TV to medium energy saving mode. • High: Sets the TV to high energy saving mode. • Auto : Sets the TV to auto energy saving mode.
30	Clone TV to USB		Clone the current TV option values to the USB.
31	Clone USB to TV		Clone the saved TV option values in the USB to the TV.
32	Clone Data Reset	OFF	• ON : When TV powers on, resets all the saved Cloning Data option values in the TV to the factory pre-sets. • OFF : Option values retain the current settings.
33	Welcome Message	OFF	Display welcome Message for 5 seconds when the TV turns On.
34	Edit Welcome Message		Edit Welcome Message.
35	Channel Auto Store		Auto Memorize channels. Searches for signals and sets channels. Channels cannot be manually added. When Hospital mode is on, channel search possible only in this mode.
36	Dynamic SI	ON	• ON : Check the DTV Program channel number. (DTV channel editor is inaccessible) • Off : No Check of the DTV Program channel number. (DTV channel editor is accessible, but additional channel program number update is not supported)
37	Pillow speaker Type	CS	Select the type of pillow speaker. You must select the type of pillow speaker currently connected for it to operate properly. • CZ : Zenith Code - Vcc (12V) • CP : Philips Code - Vcc (5V) • CS : Samsung Code - Vcc (12V)
38	CH Bank Service Level	Normal	Set the channel bank service level. • None: Channels cannot be changed by the user. • Normal: All the searched channels can be used. • Bank1/2/3: Only the channels assigned in the channel bank editor can be used.
39	CH Bank Editor		Assign the channels that will be included in the channel bank. • You can assign a channel number to an external input source in the channel editor. The channel number is added to the channel bank editor.

Setting the Hospital Option Data

Stand-alone Mode

To Enter: Press the **MUTE** → **1** → **1** → **9** → **ENTER** buttons in order.

To Exit from this menu : AC power off, and then turn on again. Any changes you made are saved.

No	Item	Initial Value	Description
1	Hospital mode	ON	Hospital mode on/off. • On : Hospital TV Stand-alone or Interactive • Off : Retail TV
2	Power On Channel EN	User Defined	Set the default values, which will be applied when the TV is turned on. • User Defined : Refers to the settings configured for Power On Channel, Channel Type. • Last Saved : Refers to the last saved settings.
3	Power On Channel	3	When the TV is turned on, it switches automatically to this channel when in Stand Alone Hospital mode.
4	Channel Type	CATV	Channel search CABLE and AIR. • ATD, DTV : ON-AIR • CATV, CDTV (Cable Digital TV) : CABLE TV
5	Power On Volume EN		Set the default values, which will be applied when the TV is turned on. • User Defined : Refers to the settings configured for Power On Volume. • Last Saved : Refers to the last saved settings.
6	Power On Volume	10	TV will switch on at this Volume Level in Stand Alone Hospital mode.
7	Min Volume	0	Minimum Volume Level user setting user can set in Stand Alone Hospital mode.
8	Max Volume	100	Maximum Volume Level user setting user can set in Stand Alone Hospital mode.
9	Panel Button Lock	Unlock	Front panel (Local key) operation on/off. • Unlock : Unlock all panel keys • Lock : Lock all panel keys • Power : Lock all panel buttons except Power • Menu/Source : Lock Menu & Source
10	Power On Source	TV	Select the input source the TV displays when it is turned on.
11	Picture Menu Lock	OFF	Enable or disable Picture Menu.
12	Channel Editor		Edit Channel Number and Name.
13	Music Mode AV	OFF	To get music output from an mp3/audio player through an AV Input Source. When on, you can hear sound from the player through the TV whether there is a video signal or not.
14	Music Mode PC	OFF	To get music output from an mp3/audio player through a PC Input Source. When on, you can hear sound from the player through the TV whether there is a video signal or not.
15	Music Mode Comp	OFF	To get music output from an mp3/audio player through a Component Input Source. When on, you can hear sound from the player through the TV whether there is a video signal or not.
16	Music Mode Backlight	OFF	Backlight On/Off option in Music mode. To save energy, set to Off.
17	RJP Priority AV	1	If the jack priority is set, the TV will automatically select this source when a plug is inserted into the RJP AV jack, according to its jack priority.
18	RJP Priority PC	2	If the jack priority is set, the TV will automatically select this source when a plug is inserted into the RJP PC jack, according to its jack priority.
19	RJP Priority HDMI	3	If the jack priority is set, the TV will automatically select this source when a plug is inserted into the RJP HDMI jack, according to its jack priority.
20	RJP AV Option	AV1	Select RJP AV Source. (AV1/AV2)
21	RJP HDMI Option	HDMI1/DVI	Select RJP HDMI Source. (HDMI1/HDMI2/HDMI3)

Specifications

Items	Specification	Comment	
TV System	ATSC / NTSC3.58		
Audio out	Speaker out	26inch : 5W x 2 32inch : 10W x 2	
	Variable Audio	4W X 1, 8 ohm SPK'	RCA Jack output BTL Sound output
	Audio out	500mVrms	Phone Jack, Monitor out
DC out	12V out	Max 1.5A	Change output voltage
	PC	D-sub, Audio-L/R	
Input	HDMI	Compatible with the HDMI Specifications	DVI is Supported
	Antenna	75 ohm Unbalanced, Din Jack	VHF/UHF/CATV
	DATA	RJ-12	
Data	Ex-Link	RS232	Jack Pack Only, TeleAdapt RJP Only
Operating temperature	50°F ~ 104°F (10°C ~ 40°C)		
Operating Humidity	10% ~ 80%	non-condensing	
Storage Temperature	-4°F ~ 113°F (-20°C ~ 45°C)		
Storage Humidity	5% ~ 95%	non-condensing	

- Design and specifications are subject to change without prior notice.
- For the power supply and Power Consumption, refer to the label attached to the product.