

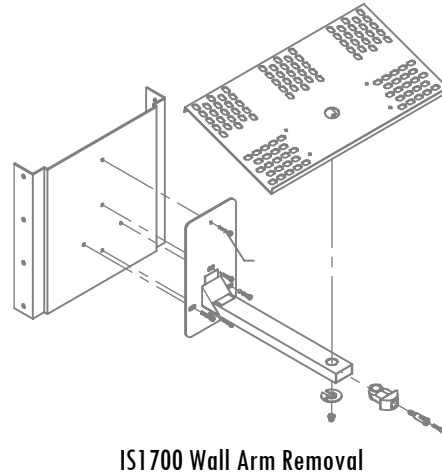
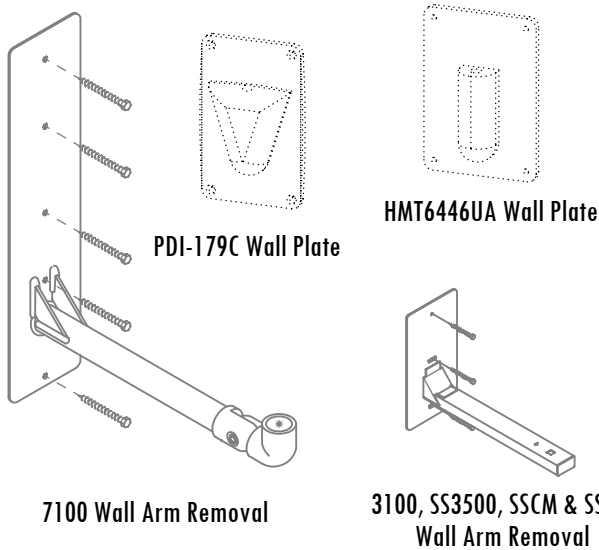
Replaces 1700, 7100, IS1700, IS7100, 3100, SS3500, SSCM and SSWP CRT TV Mounts. Also, replaces PDI-179C and HMT6446UA Wall Plates

# THLC200SSH71

Wall Mount for Flat Panel Screens up to 32" with up to 200mm VESA® Mounting Patterns

Wood Lag Screws are provided for wood stud installations. For concrete or metal studs, use the WMAAB3, concrete anchor bolt kit, or WMATB3, toggler bolt kit, and follow the instructions specific to these fasteners.

1. Before removing the existing CRT TV wall mount or Wall Plate, use a razor to separate any paint that may be overlapping the wall plate from the wall.
2. Remove the Existing CRT TV Wall arm.
3. Remove the two 1/4" Hex Head Screws from the THLC200SSH71 Wall Plate. Set aside the Washers and Nuts for re-assembly.  
Note: For installations that are replacing existing CRT mounts skip step 4.
4. Find a wood stud in the wall. Determine the best possible viewing location for the monitor. Making sure the THLC200SSH71 Wall Plate is level, use it as a template to mark and drill three 1/8" pilot holes, 2-3/4" deep.
5. Attach the THLC200SSH71 Wall Plate to the wall using the provided Wood Lag Screws or Machine Screws with Black Fender Washers.



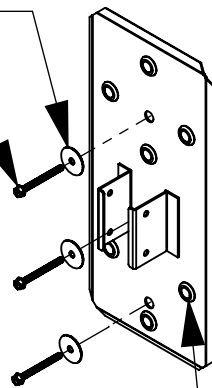
IS1700 Wall Arm Removal

### Internal Support Wall Plate Installation

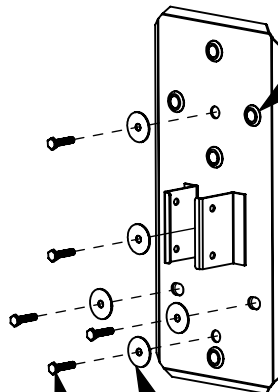
### Wood Stud Wall Plate Installation

3Pcs. - 1/4" x 1-1/4" Black Fender Washers

3Pcs. - #14 x 2-1/2" Wood Lag Screws



7Pcs. - Snap Plug Covers



5Pcs. - Snap Plug Covers

5Pcs. - 1/4" x 1-1/4" Black Fender Washers

5Pcs. - 1/4-20 x 1-1/4" Hex Head Machine Screws

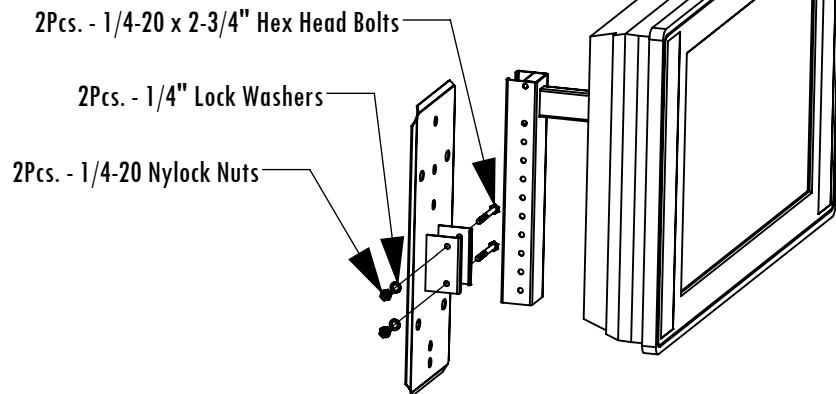
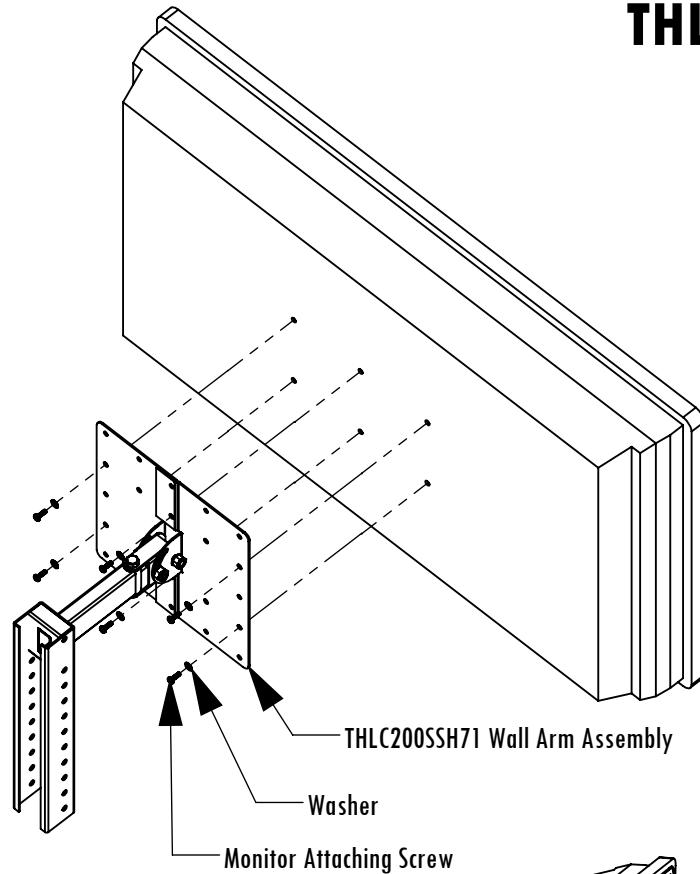
### Assembly Hardware

- |  |   |
|--|---|
| 1 ... 5/16-18 x 2-1/4" Hex Head Bolt     | 1 ... 1/4-20 x 1-1/2" Button Head Screw |
| 1 ... 5/16-18 x 1-1/2" Button Head Screw | 2 ... 1/4-20 x 2-3/4" Hex Head Bolt     |
| 2 ... 5/16" Flat Washer                  | 3 ... 1/4-20 Nylock Nut                 |
| 2 ... 5/16" Belleville Washer            | 4 ... 1/4" Belleville Washer            |
| 2 ... 5/16-18 Nylock Nut                 | 2 ... 1/4" Lock Washer                  |

### Hardware Kit

- 3 #14 x 2-1/2" HWH Lag Screw
- 5 ... 1/4-20 x 1-1/4" Hex Head Machine Screws
- 5 ... 1/4" Fender Washers (PC Gloss Black)
- 6 ... 4mm x 12mm Phillips Screws
- 6 ... 5mm Flat Washers
- 7 ... 1/2" Plastic Snap Plugs

# THLC200SSH71



6. Determine which direction the THLC200SSH71 Wall Arm will be installed by measuring the height requirements for the monitor and determining if the height will need to be adjusted up or down from the Wall Plate Position
7. Attach the 200mm VESA® Plate to the Monitor using hardware specified by the monitor manufacturer. 4mm Phillips Screws and 5mm Flat Washers are provided for typical installations
8. Attach the THLC200SSH71 Wall Arm Monitor Assembly at the desired height to the THLC200SSH71 Wall Plate with the hardware removed in step 1.
9. Check the mount for stability and make sure all the fasteners are secure. Adjust the height, tilt and pivot as needed for the best viewing angle. The THLC200SSH71 Wall Arm can be attached in either direction with any of the 1" incremented holes to give the widest range of height adjustment possibilities.

