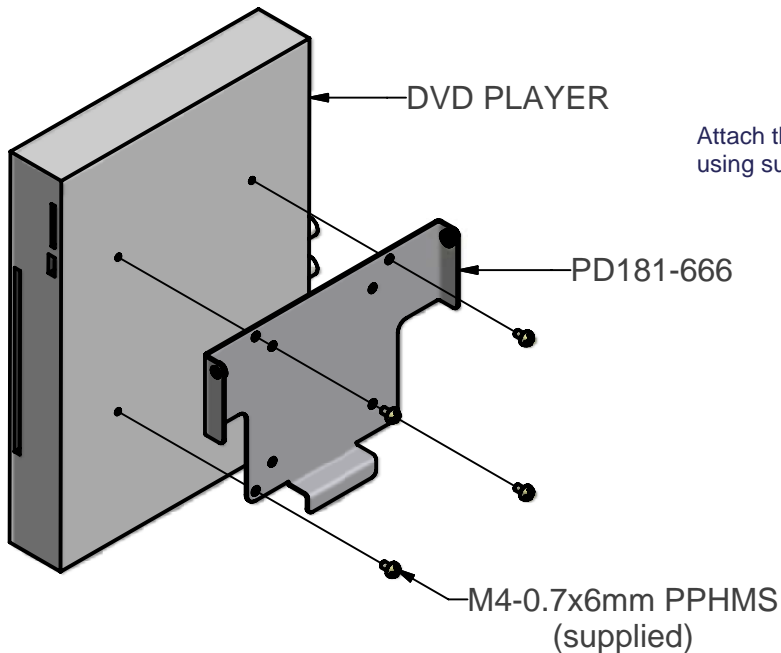
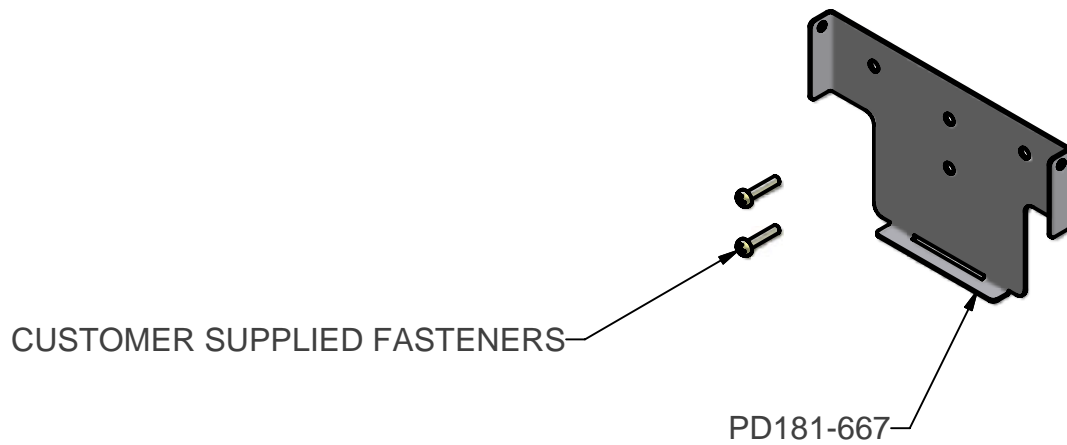


Determine the best mounting location for the DVD player, allowing 2-3/4" above bracket for DVD player clearance.
Mount the PD181-667 bracket using customer supplied fasteners.
Use two fasteners to secure the PD181-667 bracket, while keeping it as level as possible.
The bracket can be mounted using either the two center or the two wider mounting holes.
The mounting holes will accept up to 1/4" diameter fasteners.



Attach the PD181-666 bracket to the DVD player as pictured, using supplied (4) M4-0.7x6mm screws.

Finish mounting the DVD player by inserting the tab at the bottom of the PD181-666 bracket into the slotted flange of the PD181-667 and installing the (2) supplied tamper resistant screws with the provided tool bit.

